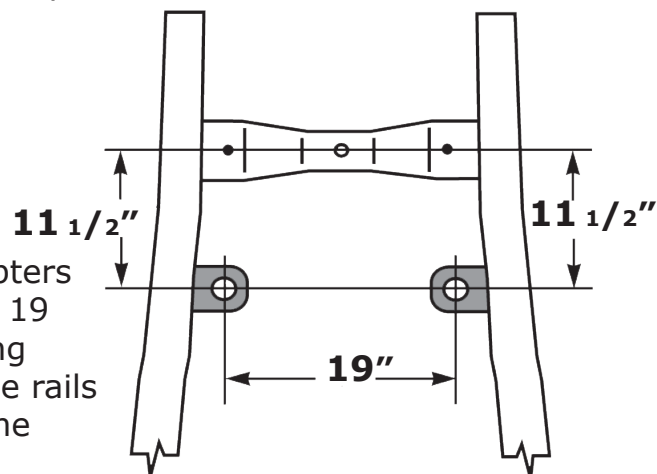
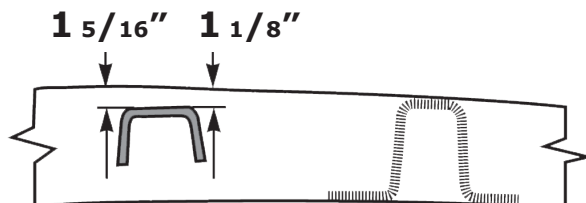




CP-2104 ES-2130

1933-34 Ford Chevy V8 Engine Mount Kit

- 1 Position and tack weld both frame adapters in place as shown.



- 2 Double check measurements and weld adapters to frame. If center to center distance is not 19 inch, then frame thickness (2 inches when boxing plates are properly installed) is not correct or the rails may be warped while installing boxing plates. The mounts will absorb a slight misalignment.

1933-34 Ford X-Member Modification & Transmission Mount Kit fits turbo 350 & Powerglide Transmission

- 1 Remove original saddle from center of X-member. Be careful with rivet holes as some are reused.
- 2 Bottom lip on frame X-member will need to be straightened back to 90 degrees. Flatten dimples around old rivet holes.
- 3 Slide bottom plate and uprights into X-member from rear. Line up front holes on bottom plate with original rivet holes. Clamp into place and ream-drill all holes to 5/16 inch. Install bolts. Drill side brace holes to 5/16 inch and bolt to X.
- 4 Place wings on top of frame and line up 4 rivet holes. Drill all 6 holes to 5/16 inch. Put wings under frame lips and bolt in place.
- 5 The floor board will need modification to clear. Use the small modulator valve on Turbo 350 (available from most auto parts suppliers).
Note: On 350 transmission, the factory lip must be removed for clearance. Use common sense and care. **Do not cut through case top.**
- 6 Chevy transmissions (except Turbo 400 & 700) will use the holes punch-marked. Other types will need to be located and drilled.
- 7 For many transmissions, the X-member lip will need to be bent down for pan clearance. Use heat and a 12 inch crescent wrench to shape.
Do not cut X-rail for clearance as this will weaken the frame.

