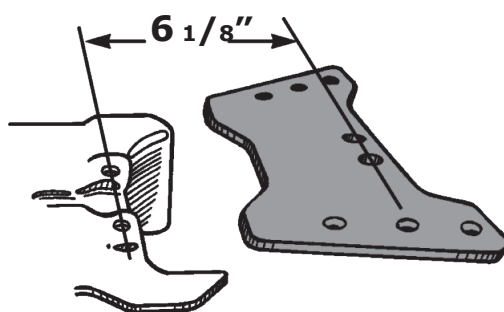


ES-2124 ES-2125

1941-48 Mercury Car Transmission Mount for GM Turbo 350 Powerglide or Standard Transmission

- 1 Remove original transmission mount from X member.
- 2 Clamp transmission plate in place using measurement shown. Drill bolt holes in frame to 3/8 inch and install bolts. If wishbone kit is used, drill those two holes to 9/16 inch.



- 3 The center X member will need clearancing for most transmissions. Slide engine and transmission into place to determine areas of interference. Clearance can be made by heating and bending, or by cutting. Bending is recommended to retain X strength. Heat an area of about 2 inch diameter hot red and rap with a ballpeen hammer. Metal will stretch easily when red hot. CAUTION: take appropriate measures to prevent fire. Have water and fire extinguisher within reach.
- 4 Use small modulator valve on Turbo 350 for extra clearance.

