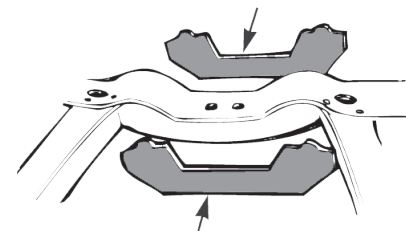




ES-1192

1952-54 Chevy Car Transmission Mount for Chevy Turbo 350, 3&4spd Manual Transmission (use transmission cushion set SS-0112)

- 1 Clamp side plates to the crossmember center as shown.
- 2 Center side to side with tabs against top crossmember lips. Make sure everything is straight, level and centered.

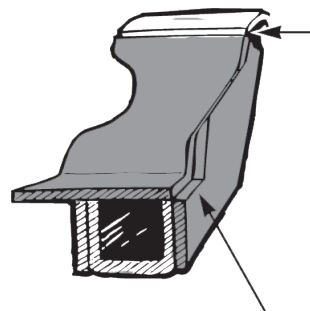


Important: Make sure plates line up with each other.

- 3 Weld front and rear plates in place.
- 4 Cut the exposed part of the original crossmember away as shown. It should now be level with the new plates.



- 5 Fit top mounting plate into place. Grind any interference or excess away. Rear of top plates and rear side plate should fit as shown for proper line up and welding. Upper lips should line up.



Cut away shows correct joint alignment

- 6 When fitting is done, clamp into place and finish weld.

