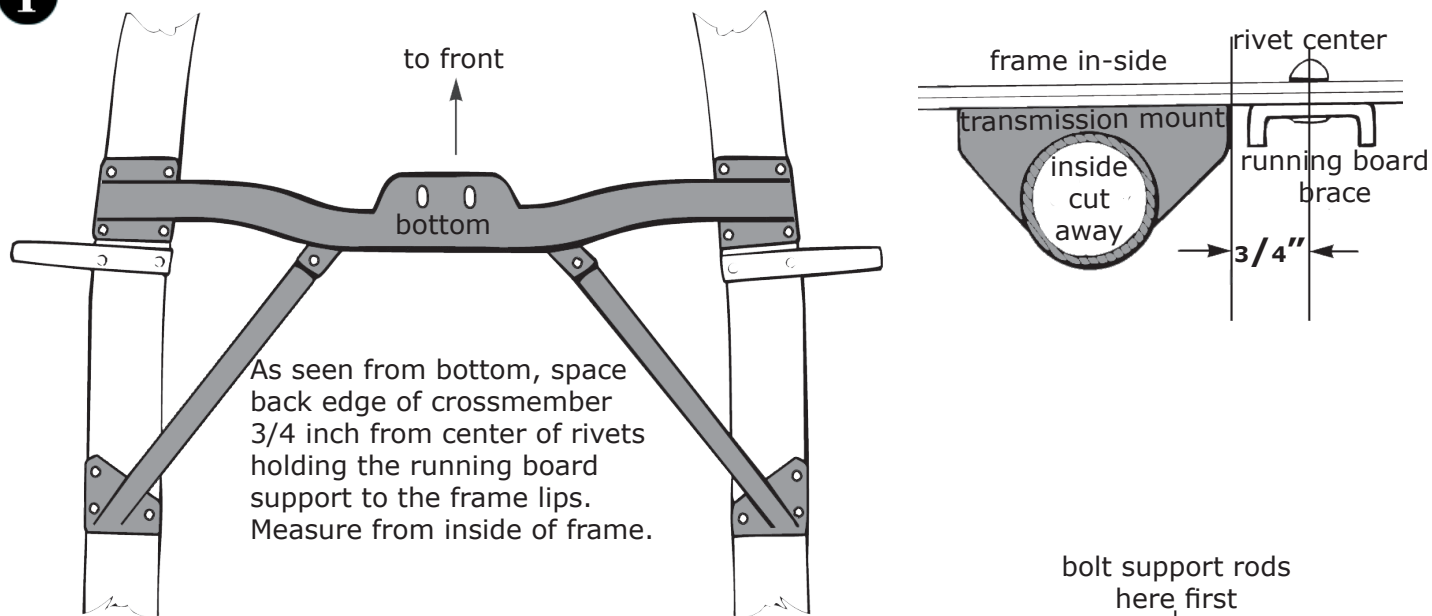




ES-1125

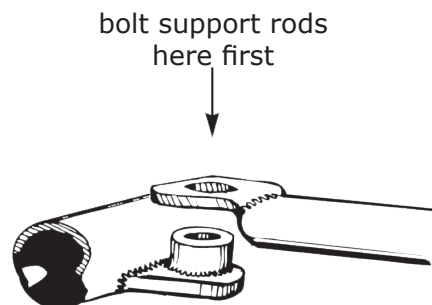
1937-39 Chevy Car Transmission Mount for Chevrolet Turbo 700R Type Overdrive Transmission
 (use transmission cushion set SS-0114)

1 Install transmission crossmember using measurements shown.



2 Clamp in place, locate and drill holes.

3 Bolt the support rods to the back of the crossmember as shown.



4 Center mounting pad under frame rail and clamp in place. Drill holes and bolt to bottom of frame.

