

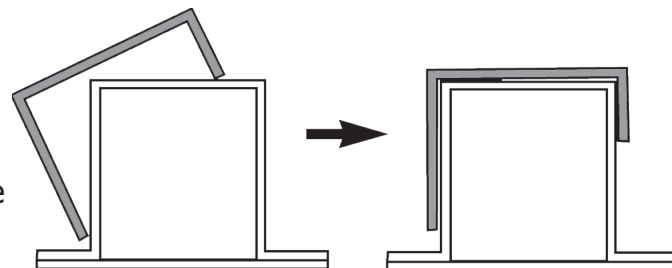


ES-1123

1937-39 Chevy Car Transmission Mount for Chevrolet Turbo 400 (use transmission cushion set SS-0112)

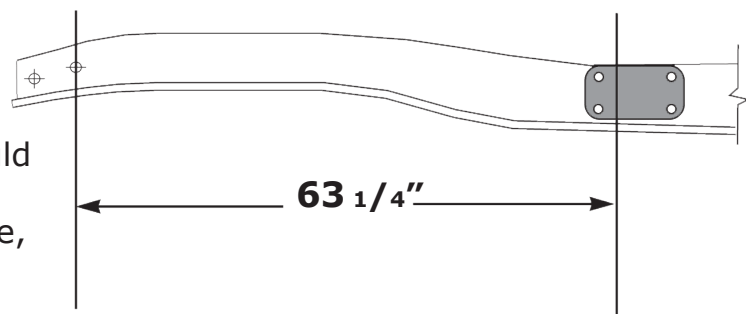
1 Remove original engine, transmission and transmission crossmember.

2 Set reinforcing J-plates over frame and position as shown.



3 Clamp transmission crossmember to frame and j-plates. Note: because of frame variation we recommend setting engine and transmission in place to check fit. Adjust if needed.

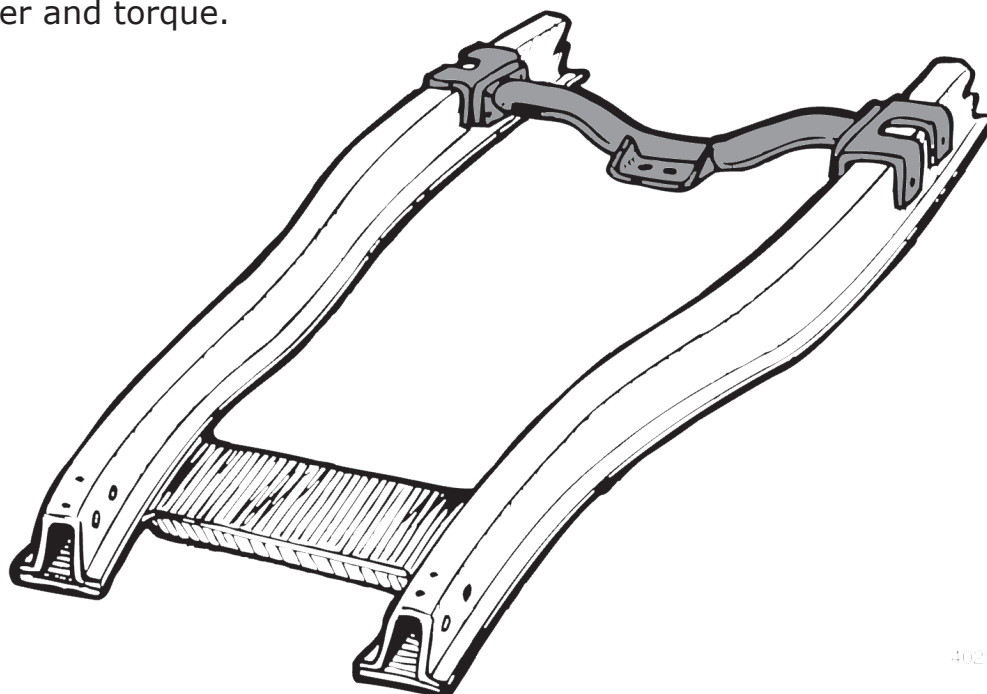
4 Drill all 3/8 inch holes through frame and bolt crossmember in place.



5 Lower bolts going through frame should not be tightened to excess. You can weld tubes inside frame to prevent collapse, if desired.

The frame is not very strong, compared to other cars. We recommend light use only, no drag strip use.

Regular inspection should be made at least every 500 miles when using engines of significant power and torque.



4029