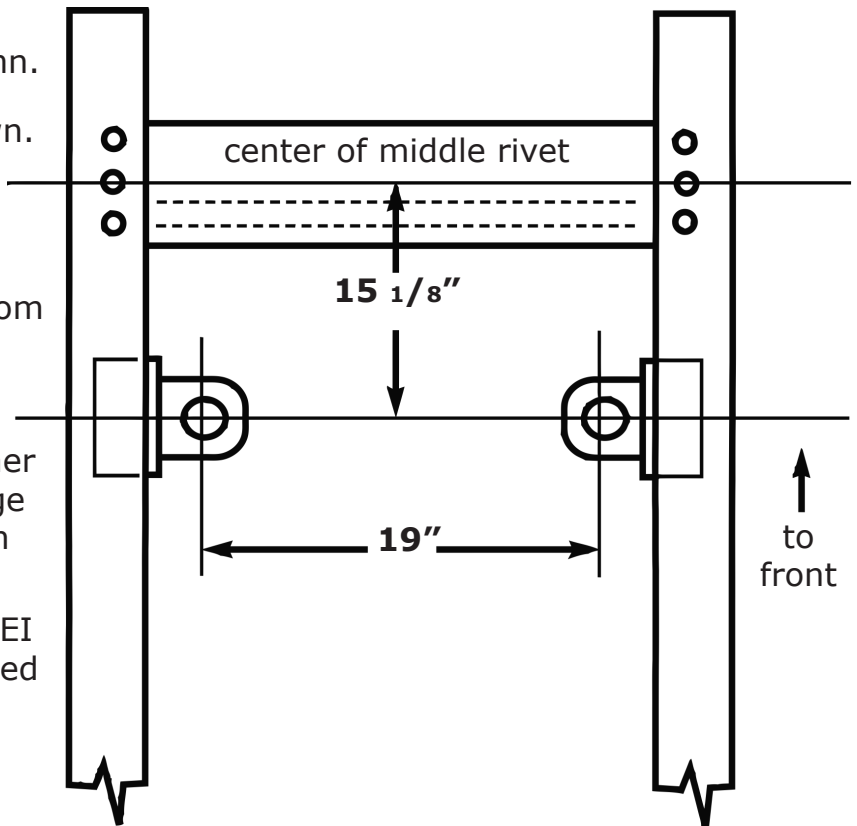




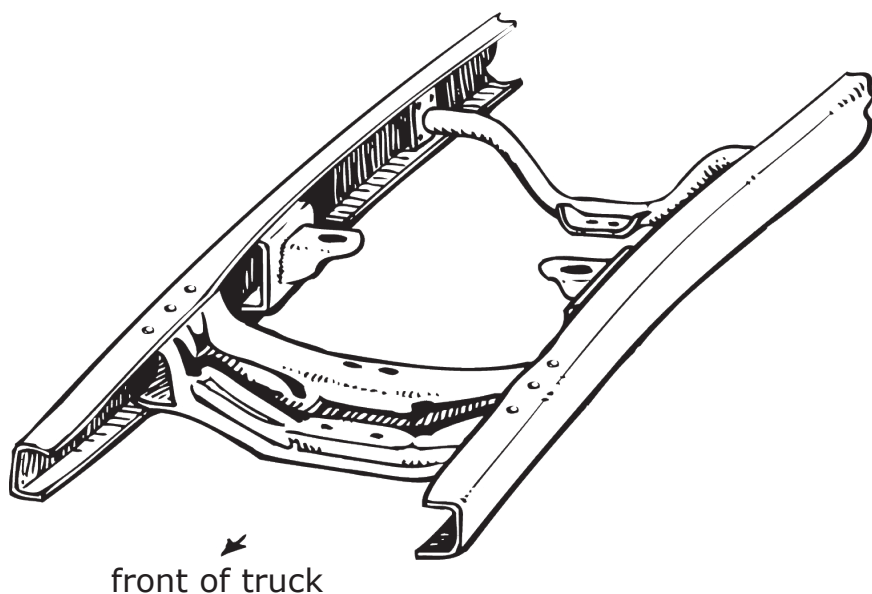
# CP-1160

## 1940-54 Chevy 1/2tn Pickup Small Block Chevy Engine Mount Kit (using Original Front Suspension or Pacer Front Suspension)

- 1** Remove original engine, transmission and steering column.
- 2** Install mounts in frame as shown. Tap mounts in place and clamp.
- 3** To bolt in place, drill two holes through top lip of frame and mount. Drill two holes through bottom lip of frame. For clearance to drill bottom holes, remove front spring shackles and shocks, then drop axle down to clear. Drill 3/4 inch from inner frame edge and 1 inch from side edge of mount. Drill and bolt with 3/8 inch bolts.
- 4** Point type distributor or small HEI will fit. Larger distributor will need firewall modification.



Note:  
Original steering gear must be moved slightly or changed (48-54 only).



← Engine mount CP-1160 installed with ES-1165 transmission mount in place.

