

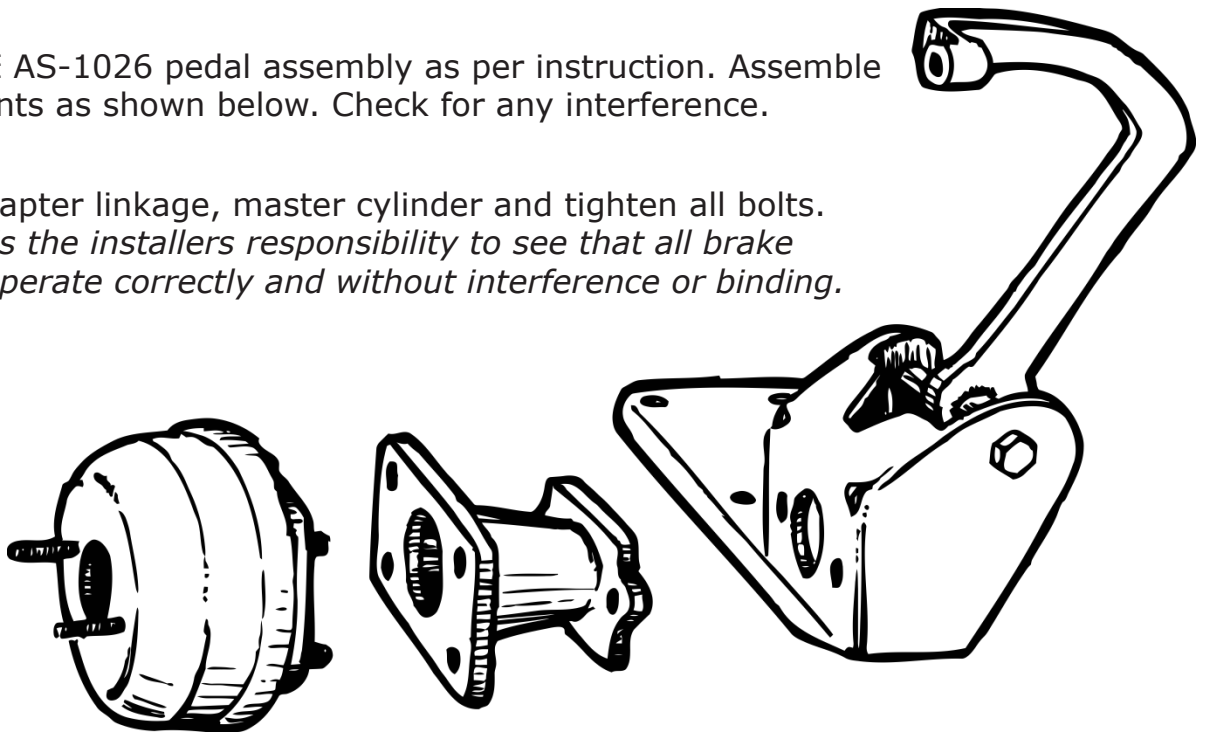
AS-1056N

1937-39 Chevy Bolt-on Power Brake Adapter

use with AS-1026 pedal mount and transmission kit manufactured after Aug. 2004

1 Install CE AS-1026 pedal assembly as per instruction. Assemble components as shown below. Check for any interference.

2 Install adapter linkage, master cylinder and tighten all bolts.
Note: it is the installers responsibility to see that all brake components operate correctly and without interference or binding.



3 Suitability, clearance and adjustment of components is the responsibility of the installer.

