

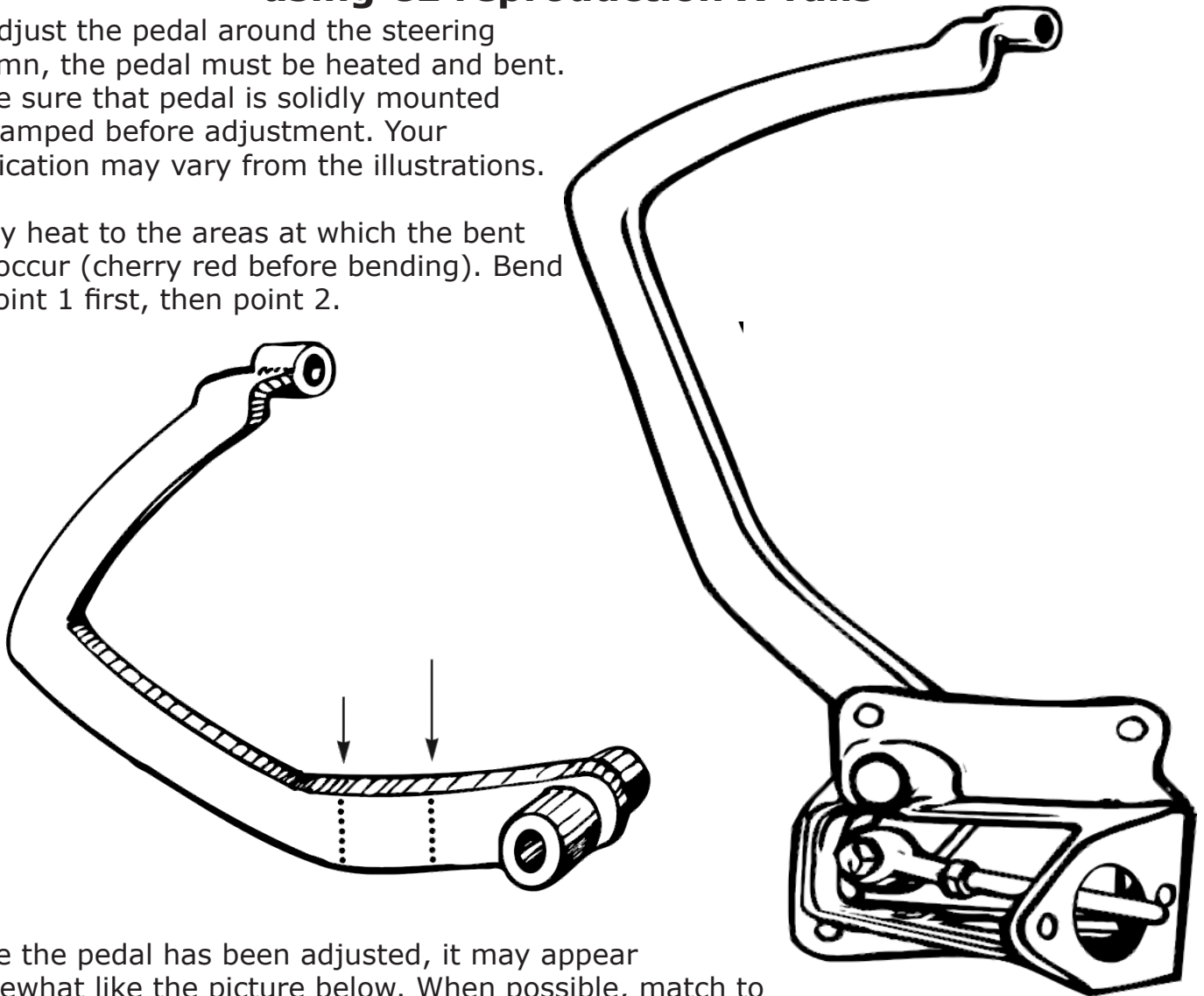


AS-2034R

1933-34 Ford Pedal Bracket Adjustment using CE reproduction X-rails

To adjust the pedal around the steering column, the pedal must be heated and bent. Make sure that pedal is solidly mounted or clamped before adjustment. Your application may vary from the illustrations.

Apply heat to the areas at which the bent will occur (cherry red before bending). Bend at point 1 first, then point 2.



Once the pedal has been adjusted, it may appear somewhat like the picture below. When possible, match to floor and original location.

