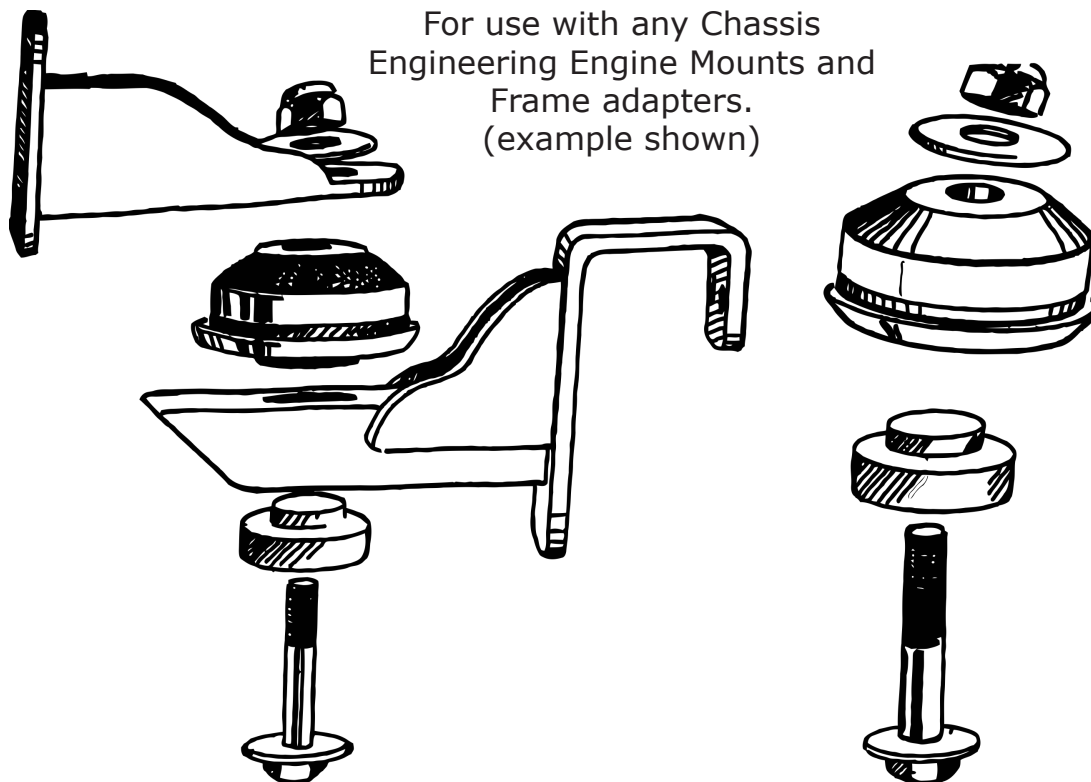


SS-0011

Engine Cusion Set for all Chassis Engineering Inc Engine Kits



For use with any Chassis Engineering Engine Mounts and Frame adapters. (example shown)

See the catalog or go to the Engine Mount Kit section on www.chassisengineeringinc.com for selecting the correct frame adapter and engine mount. Engine mounts are available for Ford and Chevy Small Block, Chevy 6cyl, Chrysler V8 (including early HEMI) and others.

SS-0011
rubber cushion set >

