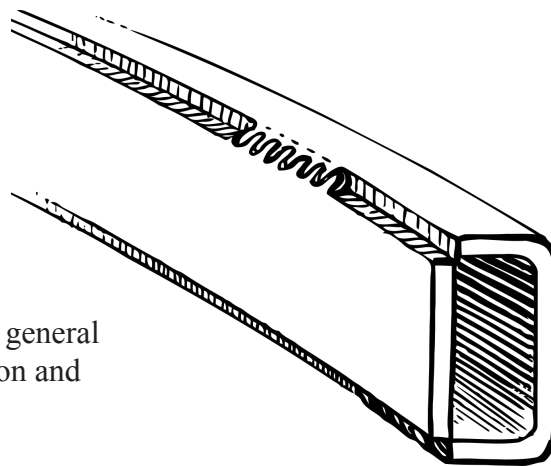
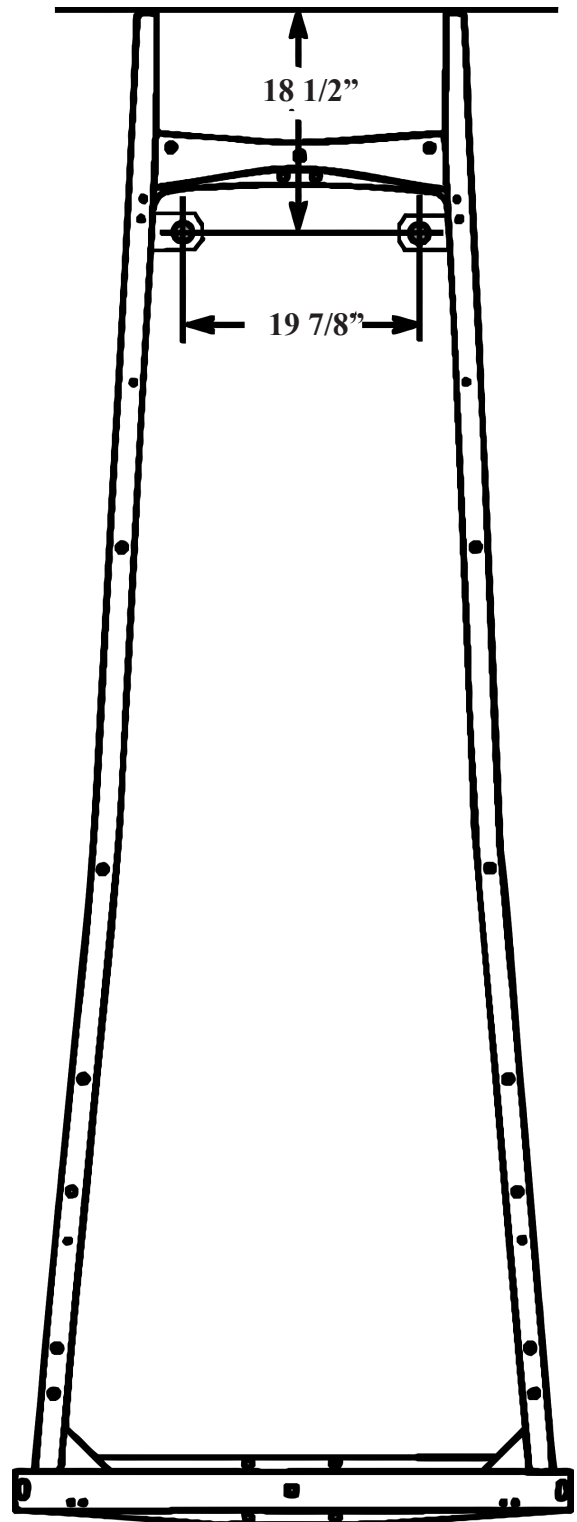


# CP-2805

## 1928-1931 Ford Weld-in frame adapter and cushion set for Flathead Ford Engine

note: 1949-53 engine requires Pickup truck water pumps

- 1** Engine mounting kit requires installation of front boxing plates. Remove original engine, transmission and unnecessary brackets. Frame rails should be checked for twist or out-of-square condition and corrected.
- 2** Once boxing plates are installed, trim engine mount frame adapters to fit. Weld these adapters in position, flush with top of frame.
- 3** Double-check measurements and mounting before finish welding. Transmission mount and crossmember will vary with type of transmission used.



Cut-away showing general boxing plate location and filling weld

