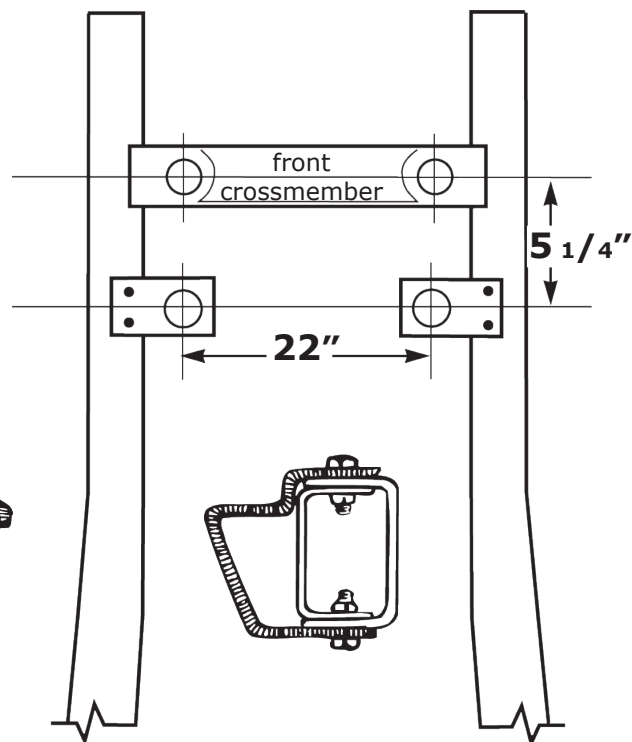
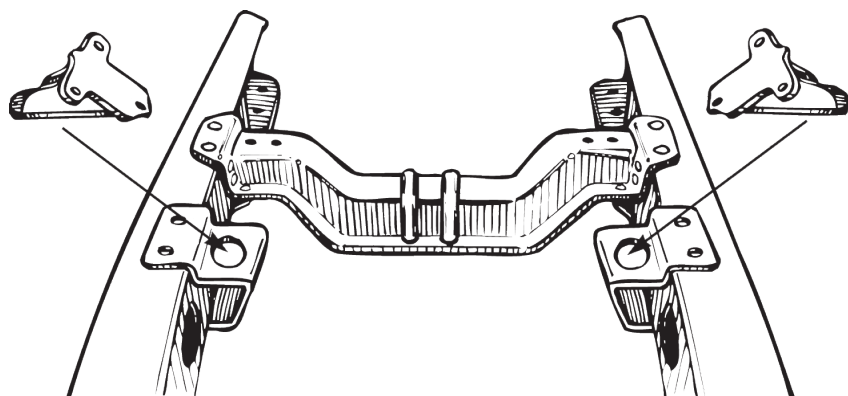




CP-2125

1939-40 Mercury Car Small Block Chevy Engine Mount Kit

- 1** Remove original engine and transmission
- 2** Place frame adapters around frame and clamp into place as shown. Make sure adapters are straight and level.
- 3** Drill bolt holes to 3/8 inch. Install bolts and tighten.
- 4** Bolt engine mounts to the Small Block Chevy engine to be installed.



- 5** Install cushion set as shown.

