

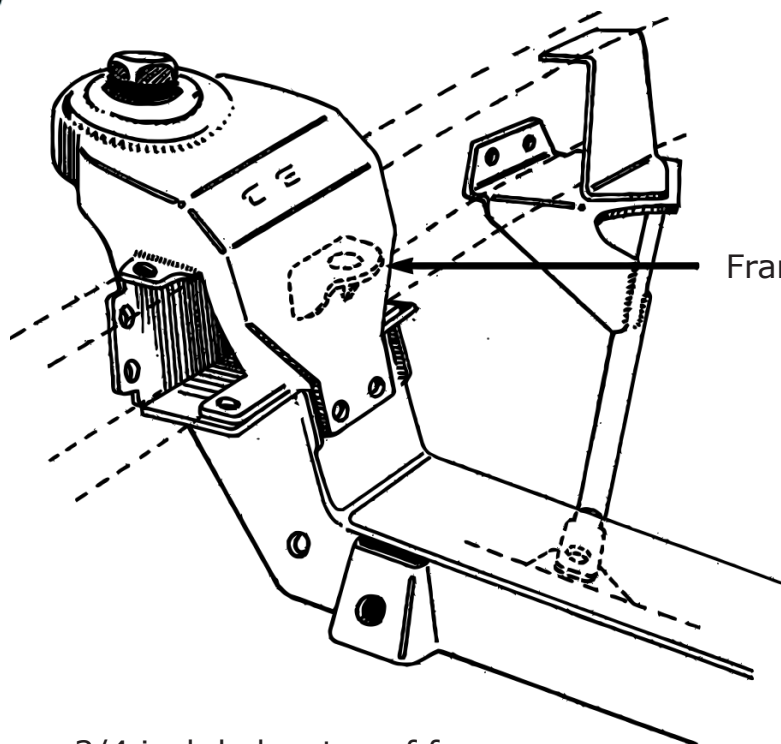


# CP-2101P

## 1935-40 Ford Car & 1935-41 Ford Pickup Small Block Chevy Engine Mount Kit (using Bolt-on Pinto Mustang Front Crossmember)

Install crossmember in frame following directions for AS-35-40-FP

- 1** It has proven impossible to furnish an exact fit for home installers for the Chevy engine mounts as the mounts are normally jig-welded at Chassis Engineering. Since there are several variables involved in the crossmember installation, Fit frame adapters carefully with engine and transmission in place.
- 2** Make sure mounts are straight and level. Tack in place, then double check all measurements and final weld.
- 3** Bolt engine mounts to block and install engine.



Frame adapter directly on IFS top hat.

approx 3/4 inch below top of frame

