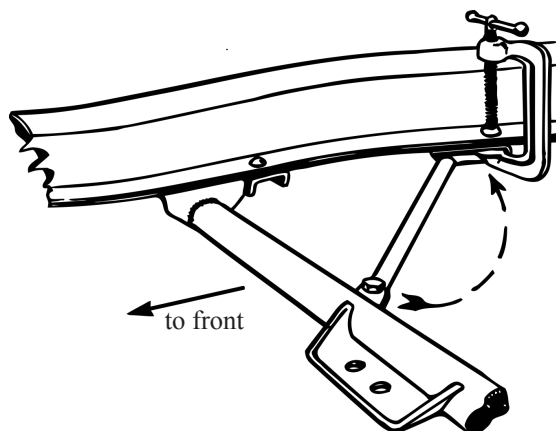
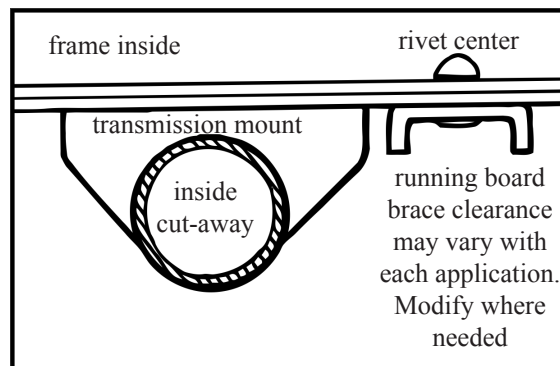
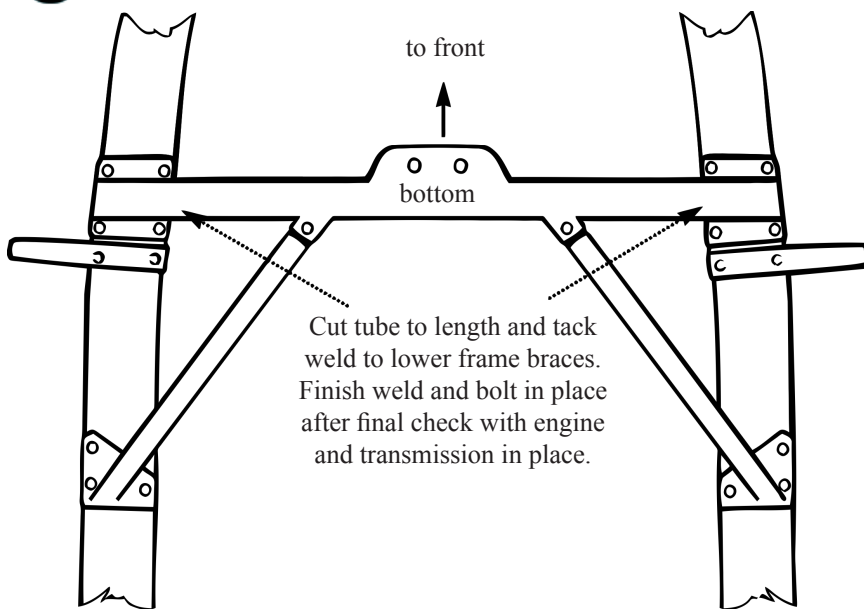
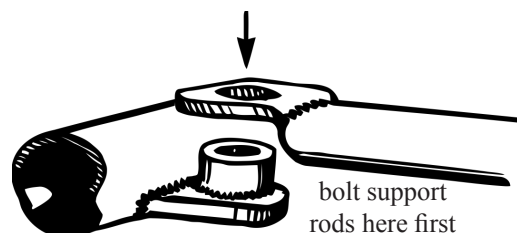


# AT-1055

## Universal Transmission Mount for Chevy Turbo 350 400 3&4Spd Manual and other transmissions

- 1 Place reinforcing plates under frame and setup with transmission and engine.
- 2 Prepare crossmember for cutting by holding it under the frame and marking the excess material. Check measurements and clearances. Remove and cut to length.
- 3 Clamp in place. Locate and drill holes.
- 4 Bolt the support rods to the back of the crossmember. Center mounting pads under frame rail and clamp in place. Drill holes and bolt to bottom of frame. When sure of spacing, drill all eight 3/8" holes through the bottom lip of the frame.
- 5 Transmission floor cover plate may need clearancing to miss transmission.



swing support rods to side of the frame and clamp into place. Drill holes, install bolts and tighten.